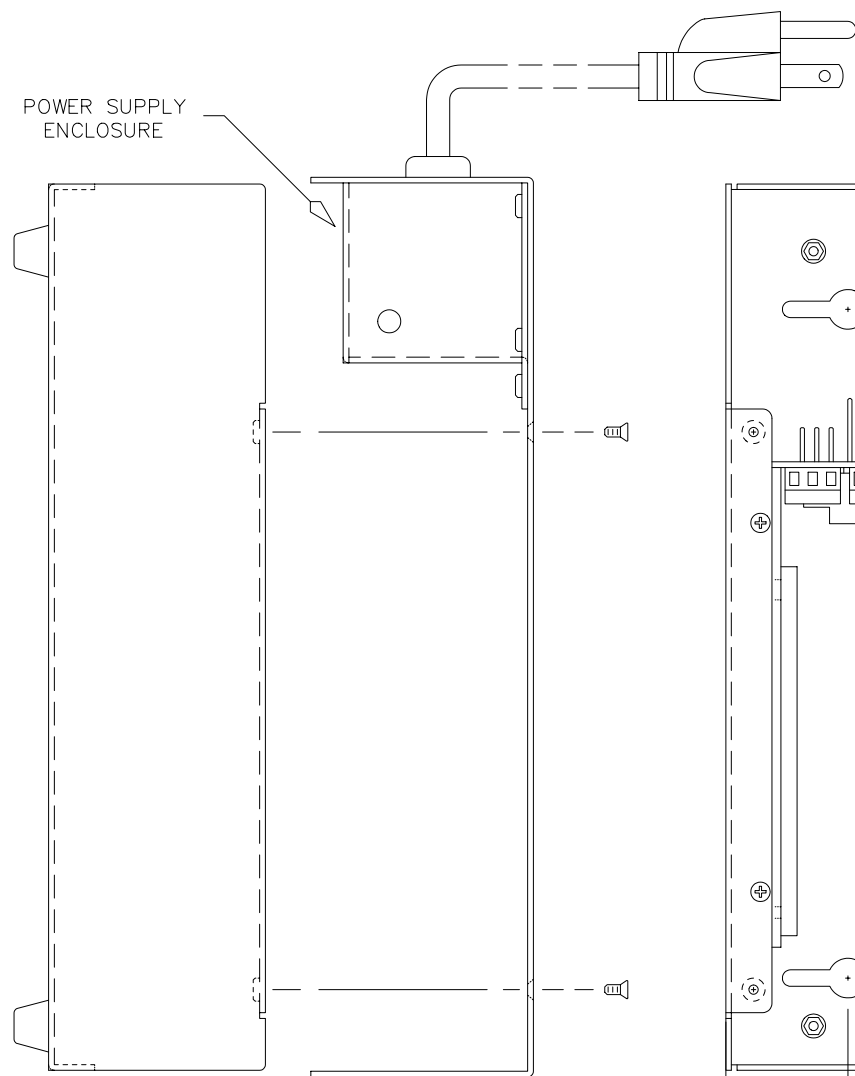
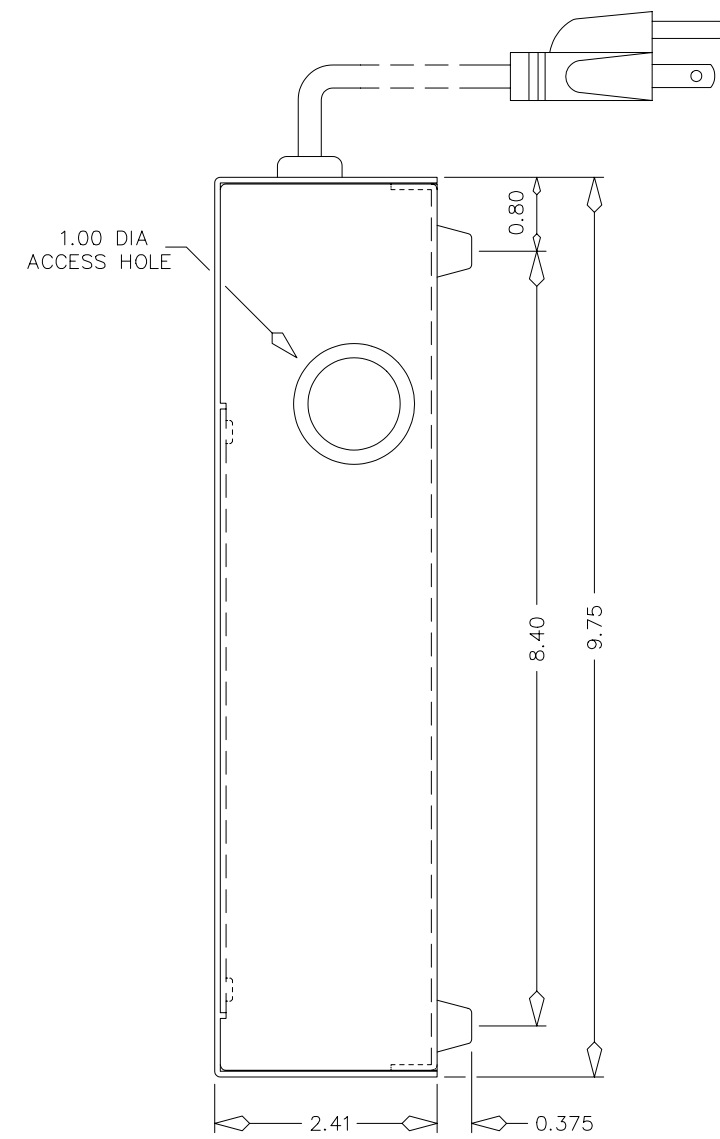
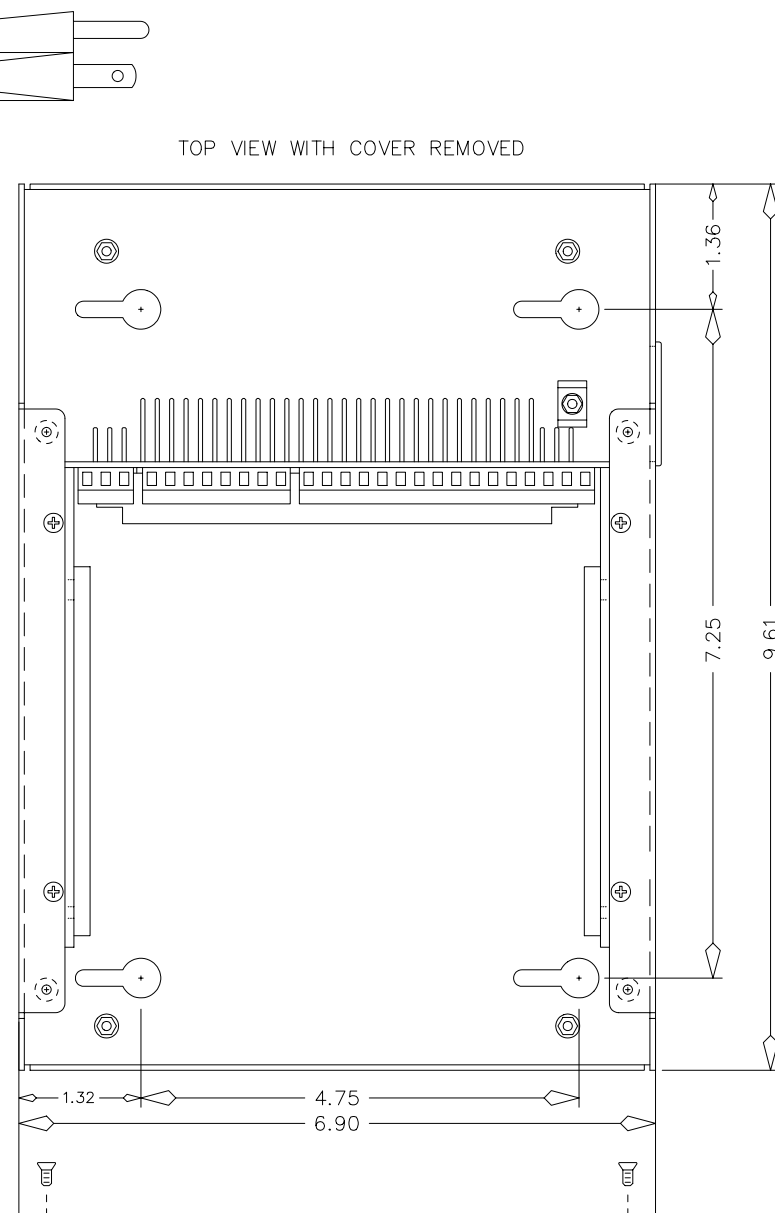


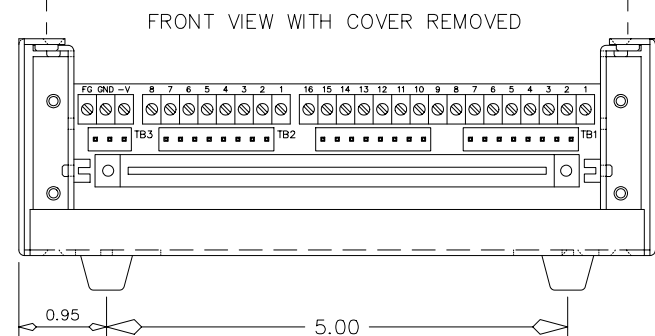
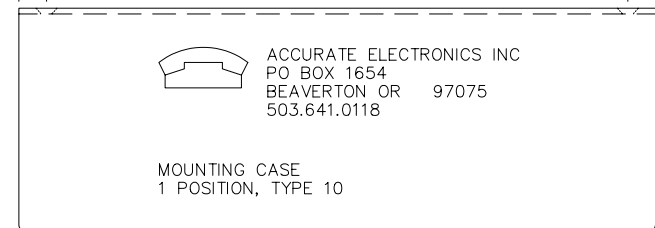
REV	DATE	DESCRIPTION
0	23 Apr 08	RELEASE



SIDE VIEW WITH COVER REMOVED

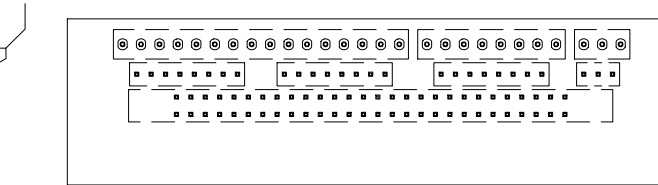
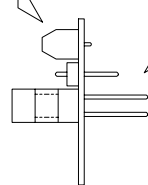


SIDE VIEW WITH COVER INSTALLED



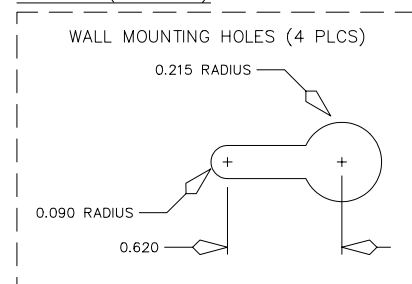
WIRE ENTRY FOR FIELD WIRING

WIRE WRAP PINS



BACKPLANE PCB

DETAIL A (x2 SCALE)



POWER SUPPLY SPECIFICATIONS

INPUT VOLTAGE: 85 to 264VAC/47 to 63Hz  
120 to 370VDC

AC INPUT CURRENT: 0.15A/115VAC  
0.07A/230VAC

OUTPUT VOLTAGE: 24VDC

OUTPUT CURRENT: 220mA (MAX)

NOTES

- 1.) ALL DIMENSIONS IN INCHES
- 2.) TOLERANCE: +/- 0.020 UNLESS NOTED
- 3.) SCALE: FULL UNLESS NOTED
- 4.) MAT'L: 0.062 AL (BLACK ANODIZED)

ACCURATE ELECTRONICS INC (503) 641-0118 P.O. BOX 1654 BEAVERTON OREGON 97075 USA			
DESIGN	MODEL	1019120200	
DRAWN 23 Apr 08	JWT	PARTS LIST 39225790	
CHECK	INDEX No.		
APPROVED	ACAD FILE No. 191202D0		
PROD. REL.	NEXT ASS'Y		
ISSUE	FINAL ASS'Y		
DATE	REV.	SILK-SCREEN No.	
DATE	REV.	PART No.	
TITLE Description Dwg, Apparatus Case, 1 Pos., Type 10, 117VAC/24VDC			
DATE	REV	PAGE 1 OF 1	DRAWING NUMBER
23 Apr 08	0		39225792