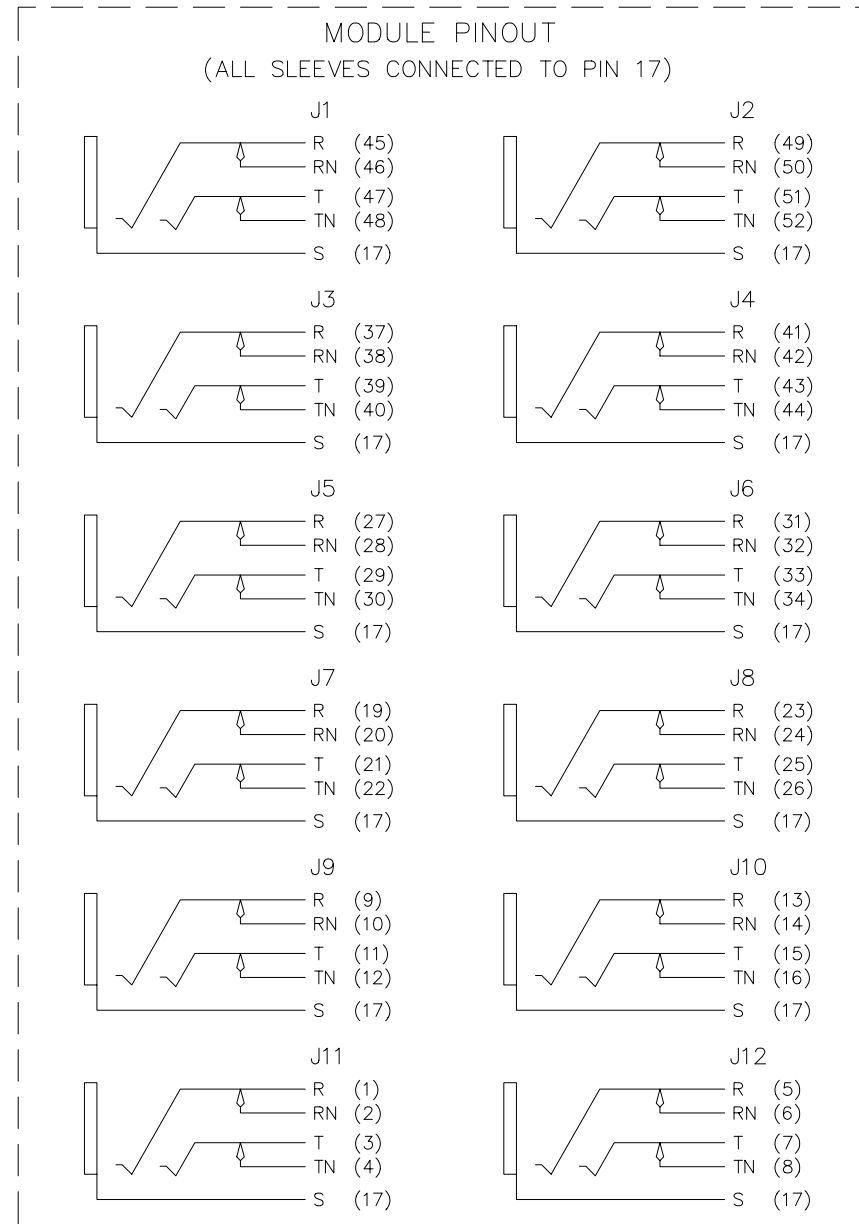
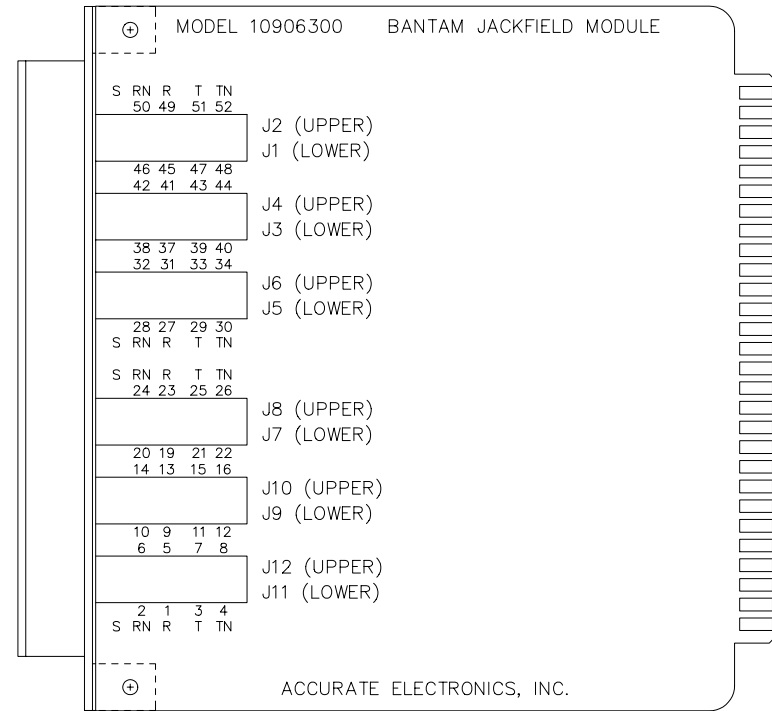
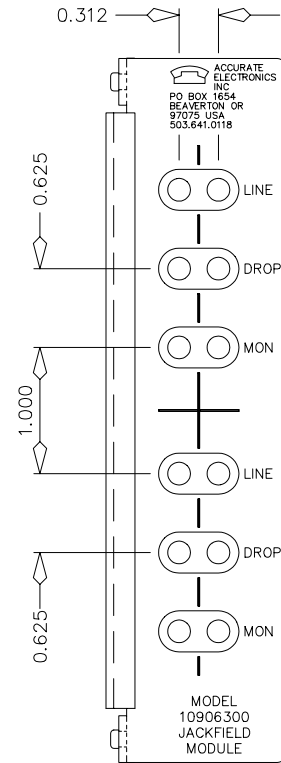


REV	DATE	DESCRIPTION
0	14 June 2012	Release
1	30 Apr 2013	Changed all tip/ring pair pinouts. Changed front panel silkscreen.
2	14 May 2013	Added pinouts to pcb silkscreen.



**NOTES**

- 1.) ALL DIMENSIONS IN INCHES
- 2.) TOLERANCE: ± .010 UNLESS NOTED
- 3.) SCALE: FULL (UNLESS NOTED)

<b>ACCURATE ELECTRONICS INC</b> <small>(503) 641-0118 P.O. BOX 1654 BEAVERTON OREGON 97075 USA</small>			
DESIGN	MODEL 10906300		
DRAWN	9 Aug 12	JWT	PARTS LIST 39226330
CHECK	ACAD FILE No. 90630D01		
APPROVED	DASH No.		
PROD. REL.	NEXT ASS'Y		
ISSUE	FINAL ASS'Y		
DATE	REV.	SILK-SCREEN No.	
DATE	REV.	PART No.	
TITLE Description Drawing, Bantam Jackfield Module, Type 10			
DATE	REV	PAGE 1 OF 1	DRAWING NUMBER 39226332
14 May 2013	2		