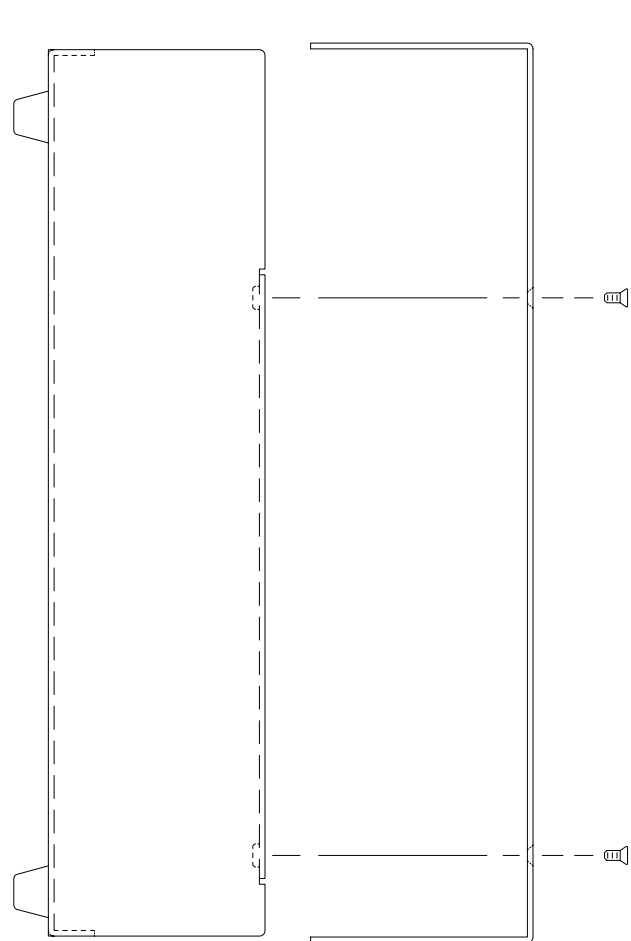
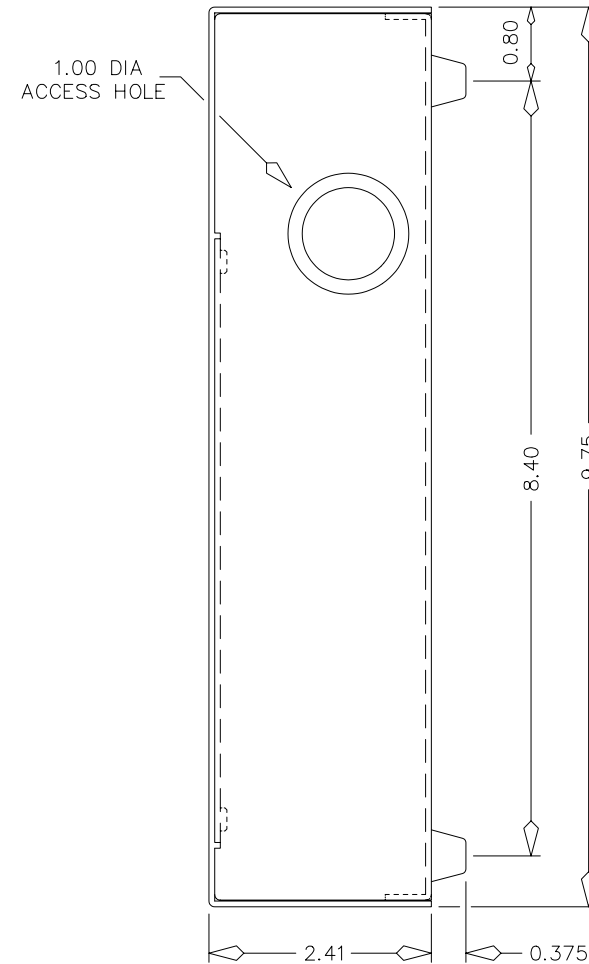
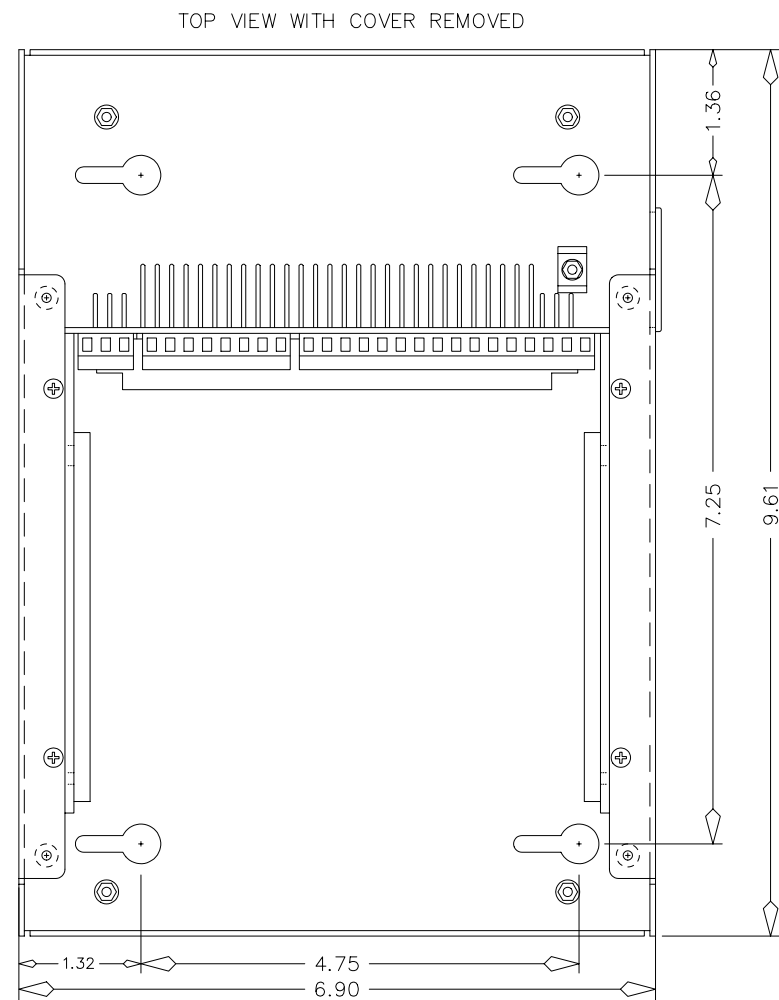


REV	DATE	DESCRIPTION
0	1 Mar 07	RELEASE



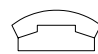
SIDE VIEW WITH COVER REMOVED



SIDE VIEW WITH COVER INSTALLED

NOTES

- 1.) ALL DIMENSIONS IN INCHES
- 2.) TOLERANCE: ± 0.020 UNLESS NOTED
- 3.) SCALE: FULL UNLESS NOTED
- 4.) MAT'L: 0.062 AL (BLACK ANODIZED)

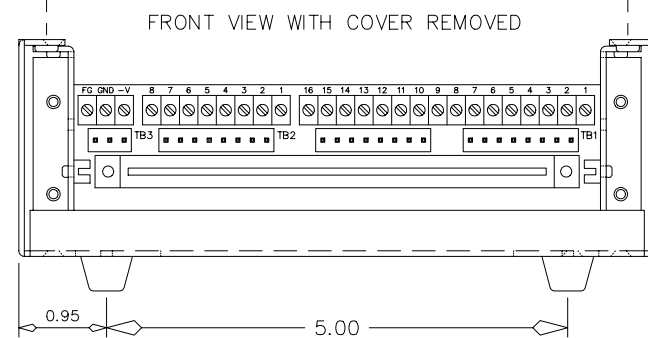
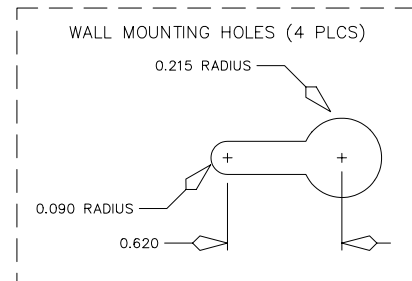

ACCURATE ELECTRONICS INC
 PO BOX 1654
 BEAVERTON OR 97075
 503.641.0118

 MOUNTING CASE
 1 POSITION, TYPE 10

WIRING NOTES

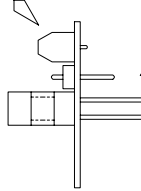
- 1.) INSTALLER POWER CONNECTIONS ARE MADE AT TB3-1(V-), TB3-2(GND), TB3-3(FG).
- 2.) TB1-1 thru TB1-16 AND TB2-1 thru TB2-8 ARE AVAILABLE FOR MODULE WIRING.
- 3.) TERMINAL BLOCKS ACCEPT #26 to #16 AWG
- 4.) ALL WIRE WRAP PINS ARE 0.045 SQ.

DETAIL A (x2 SCALE)

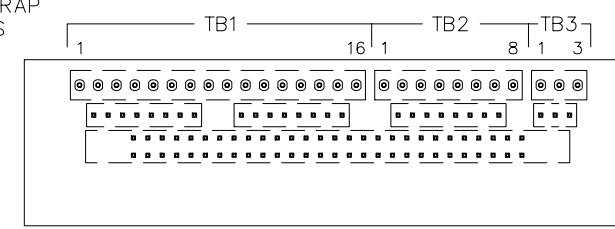


WIRE ENTRY FOR FIELD WIRING

WIRE WRAP PINS

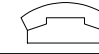


SIDE VIEW



REAR VIEW

BACKPLANE PCB

 ACCURATE ELECTRONICS INC <small>(503) 641-0118 P.O. BOX 1654 BEAVERTON OREGON 97075 USA</small>			
DESIGN	MODEL 10191100		
DRAWN 1 Mar 07	JWT	PARTS LIST 39225540	
CHECK	INDEX No.		
APPROVED	ACAD FILE No. 191100D1		
PROD. REL.	NEXT ASS'Y		
ISSUE	FINAL ASS'Y		
DATE	REV.	SILK-SCREEN No.	
DATE	REV.	PART No.	
TITLE Description Drawing, Mtg Case, 1 Pos., Type 10, w/o Power Supply			
DATE	REV	PAGE 1 OF 1	DRAWING NUMBER
1 Mar 07	0		39225542