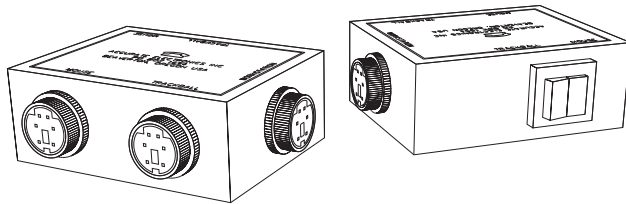




ACCESSORY SWITCH, MOUSE / TRACKBALL

MODEL 8063



CONTENTS

- 1.) GENERAL
- 2.) APPLICATION
- 3.) FEATURES AND BENEFITS
- 4.) SPECIFICATIONS
- 5.) CIRCUIT DESCRIPTION
- 6.) MECHANICAL OUTLINE
- 7.) INSTALLATION
- 8.) MAINTENANCE
- 9.) WARRANTY

PAGE

- A
- A
- A
- A
- A
- A
- A
- A
- A

FIGURES

- Figure 1... CIRCUIT DESCRIPTION B
- Figure 2... MECHANICAL OUTLINE B
- Figure 3...APPLICATION DIAGRAM A

1. GENERAL

1.01 This practice provides application, specification, circuits and mechanical description, maintenance, installation, and warranty information relating to Accurate Electronics' Accessory Switch, Mouse / Trackball, Model 8063.

2. APPLICATION

2.01 Allows the computer operator to easily switch between a mouse and a trackball unit.

3. FEATURES AND BENEFITS

- quick and simple installation
- high density
- compact design

4. SPECIFICATIONS

4.01 Electrical

- Mouse: PS / 2 or compatible
- Trackball: PS / 2 or compatible
- Mouse Connector: mini-din-6-pin receptacle
- Trackball Connector: mini-din-6-pin receptacle
- Workstation Connector: mini-din-6-pin receptacle

Supplied: six (6) ft. cable with one (1) mini-din-6-pin plug (male) at each end (for use between workstation and switch unit)

4.02 Environmental

- Operating Temperature: 0 - 55° C
- Humidity: up to 95% R.H.no condensation

4.03 Physical

- Dimensions: 2.400" L x 1.850" W x 0.925" H
6.096cm L x 4.699cm W x 2.350cm H
- Weight: 1.5 oz. / 42.53g
- Finish: ABS - creme / white lettering

5. CIRCUIT DESCRIPTION

5.01 See FIGURE 1.

6. MECHANICAL OUTLINE

6.01 See FIGURE 2.

7. INSTALLATION

7.01 Plug cable from mouse into connector marked "MOUSE".

7.02 Plug cable from trackball into connector marked "TRACKBALL".

7.03 Plug cable from the workstation into connector marked "WORKSTATION".

7.04 Use the switch to select either the trackball or the mouse.

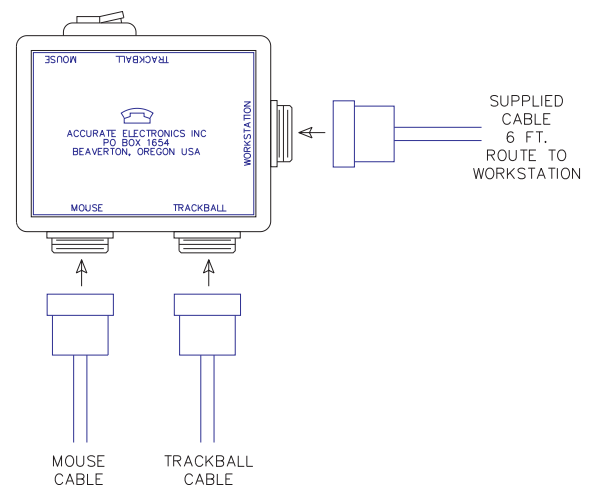
8. MAINTENANCE

8.01 No preventive maintenance is required. General care is recommended.

9. WARRANTY

9.01 See WARRANTY in front of catalog.

FIGURE 3. APPLICATION DIAGRAM



This document contains proprietary information and is supplied for identification, maintenance, engineering evaluation or inspection purposes only and shall not be duplicated or disclosed without written permission of: ACCURATE ELECTRONICS INC. By accepting this document the recipient agrees to make every effort to prevent unauthorized use of this information.

FIGURE 1. CIRCUIT DESCRIPTION

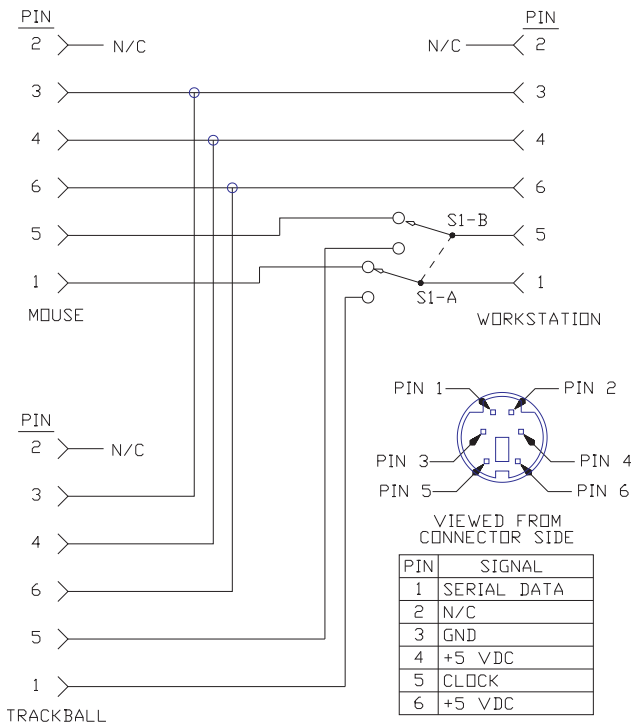


FIGURE 2. MECHANICAL OUTLINE

